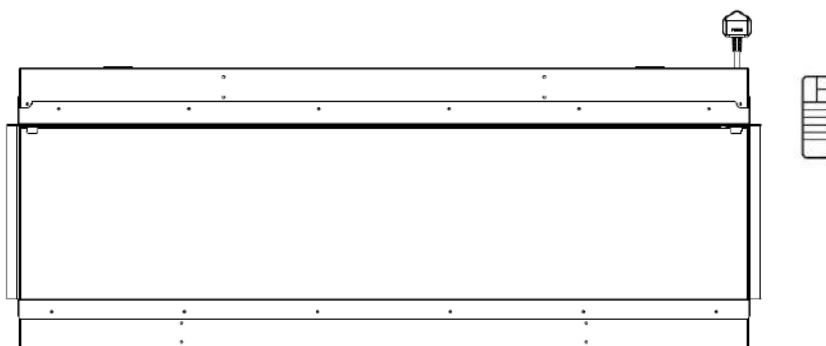
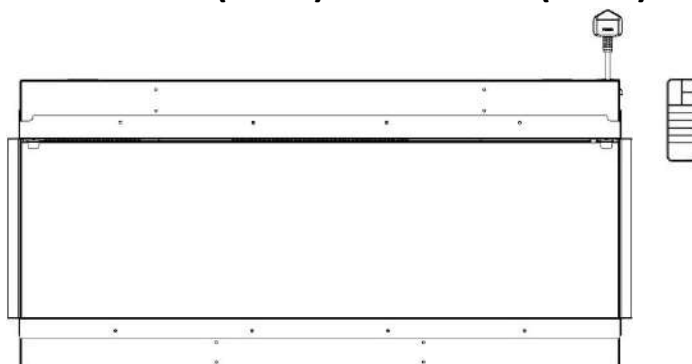


bemodern

FIRES | FIREPLACES

3 Sided Electric Fire 1000 - 3SL (3083) – 1250-3SL (4165)



Prior to installing this product locate the data label and note the model and serial number.

Model: _____

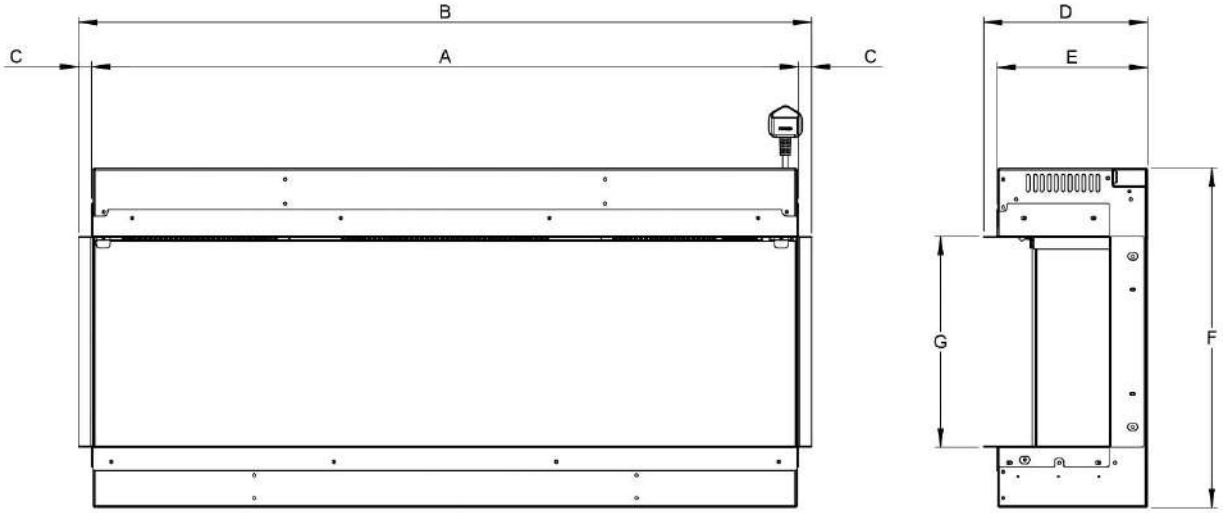
Serial Number: _____

Instructions For Installation & Operation

Contents

	Page
Technical Specification	3
Manual Handling	4
Contents of the Box(es)	5
Unpacking the Fire	6 - 7
Preparing the Fire	8 - 9
Installation – Stud wall	10 - 11
Installing the Fire	12
Fuel Bed Layout / Log Positioning	13
Replacing the Glass	14
Technical Specification	15
Important Safety Information	16
Operating Instructions	17 – 20
General Information	21 – 22
Fire Guarantee	23
Wiring Diagram	24
Troubleshooting	25

Technical Specification



Detailed: 3 Sided Fire Set Up

Fire	Logs	Dimensions (mm)						
		A	B	C	D	E	F	G
1000-3SL (3083)	5 SML + 2 LRG	1016	1054	19	236	217	488	302
1250-3SL (4165)	10 SML + 2 LRG	1266	1304	19	236	217	488	302

Tolerance +/- 2mm

Fire	Visible Glass Area (mm)			Boxed Weight (Kg)
	W	H	D 2/3 Sided	
1000-3SL (3083)	1008	296	111	36.1Kg
1250-3SL (4165)	1258	296	111	45.2Kg

Note: The above image and dimensions detail the fire set up for a **3 sided** installation- adjust the dimensions accordingly for **2 sided (B-19mm)** and **1 sided (B-38mm)** installation.

Manual Handling

BEFORE STARTING THE INSTALLATION OF THIS FIRE, PLEASE READ THE FOLLOWING:

CAUTION: This appliance is heavy. Always seek assistance whilst unpacking and / or during installation.

The installation should be carried out by **two adults** to avoid injury or damage. If for any reason it is considered too heavy, please obtain assistance.

When lifting the electric appliance, always keep your back straight. Bend your legs and not your back. Avoid twisting at the waist. It is better to reposition your feet.

Avoid upper body / top heavy bending. Always bend from the knees rather than the waist. Do not lean forward or sideways while handling the fire.

Always grip the fire with the palm of the hand – do not use the tips of fingers for support.

Always keep the fire as close to the body as possible. This will minimize the cantilever action.

Use gloves to provide additional grip.

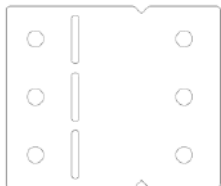
Contents of the box(es)

1000-3SL (3083)

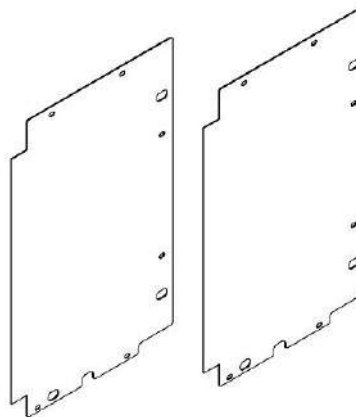
Quantity	Description	Quantity	Description
1	1000-3SL (3083)- Electric Fire	1	Foam Strip- (Bagged Separately)
7	5 x Small Logs & 2 x Large Logs (Boxed Inside Fire)	1	Fire Operating Instruction- (Bagged Separately)
1	Bags of Crystals (Boxed Inside Fire)	1	Wall Hanging Bracket- (Supplied fixed to the fire Rear)
1	Bags of Pebbles (Boxed Inside Fire)	2	Side Panels (Boxed Separately at the rear of the fire)- (For 1 Sided Installation)
1	Fire Remote Control & 2 x AAA Batteries (Bagged Separately)	4	Fixing Brackets (Boxed Separately at the rear of the fire)- (For 1, 2 & 3 Sided Installation)

1250-3SL (4165)

Quantity	Description	Quantity	Description
1	1250-3SL (4165)- Electric Fire	1	Foam Strip- (Bagged Separately)
10	8 x Small Logs & 2 x Large Logs (Boxed Inside Fire)	1	Fire Operating Instruction- (Bagged Separately)
1	Bags of Crystals (Boxed Inside Fire)	1	Wall Hanging Bracket- (Supplied fixed to the fire Rear)
1	Bags of Pebbles (Boxed Inside Fire)	2	Side Panels (Boxed Separately at the rear of the fire) - For 1 Sided Installation.
1	Fire Remote Control & 2 x AAA Batteries (Bagged Separately)	4	Fixing Brackets (Boxed Separately at the rear of the fire) - For 1, 2 & 3 Sided Installation.



Note: Discard the 2x Metal Brackets (left) - Not required for this Installation.



2 X Side Panels (For 1 Sided Installation, boxed separately at the rear of the fire).



4 X Fixing Brackets (For 1, 2 & 3 Sided Installation, boxed separately at the rear of the fire).

Please ensure all fixings are present before commencing installation. If anything is missing please call Customer Services on 01914300901 or email us at customerservices@bemodern.co.uk

Unpacking The Fire

Note: The fire is a two adult person lift. A second person will be required to lift and support the fire during installation.

Before the fire can be installed, consideration will need to be given to routing the power supply to the fire. This will affect the stages of the installation process. We advise a qualified electrician conduct any electrical parts of the installation.

Note: An accessible single socket is required for the operation of the fire.

Unpack your new fire- **DO NOT** dispose of the packaging until you have checked and made sure all the parts and fixings listed on **Page 7** are present. **Note: The Side Panels and Fixing Brackets are boxed separately at the rear.**

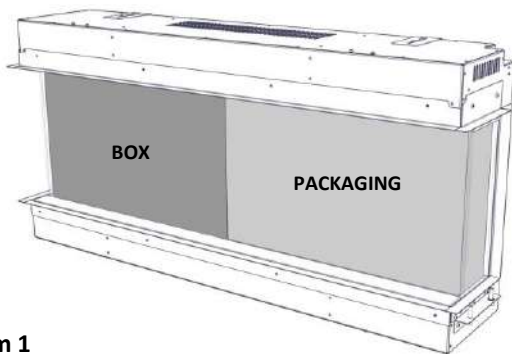


Diagram 1

Once the fire is unpacked the **1 X Cardboard Box** and packaging inside the fire needs to be removed and the contents checked, as listed on **Page 7**.

See **Diagram 1**.

Note: The fire is a two adult person lift.

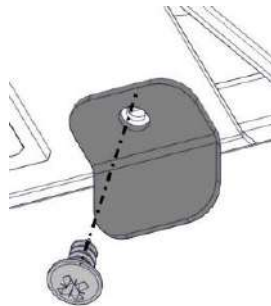


Diagram 2

To do this, unscrew the **2 X Screws** holding the **Glass Brackets** in place.

See **Diagram 2**.

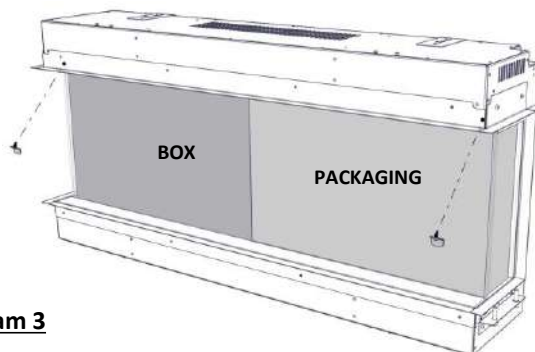


Diagram 3

There is **1 X Screw** and **1 X Bracket** either side of the fire.

See **Diagram 3**.

Please ensure all fixings are present before commencing installation. If anything is missing please call Customer Services on 01914300901 or email us at customerservices@bemodern.co.uk

Unpacking The Fire *Continued*....

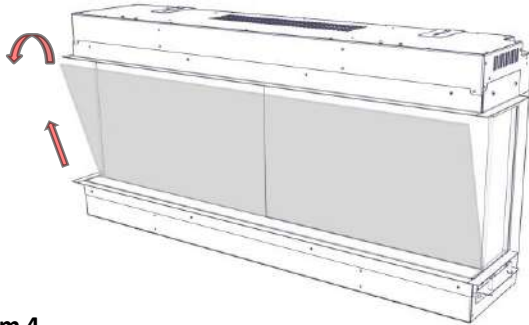


Diagram 4

Once the screws are removed - the **Glass** can be angled forward from the top of the fire and lifted out of the channel at the base of the glass.

Note: Place the Glass, 2 x Glass Brackets and 2 x Screws in a safe place- these will be required later.

See Diagram 4.

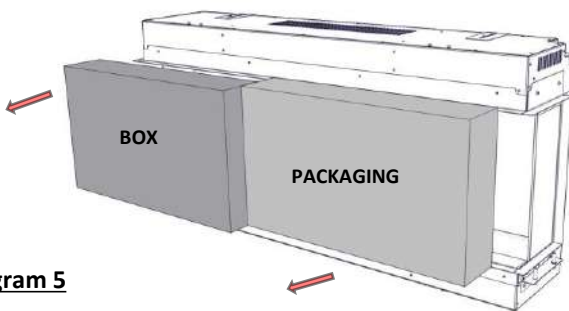


Diagram 5

Remove the **1 x Cardboard Box** and packaging from inside the fire and depending on the model purchased, check the contents as listed on **Page 7**.

Note: Discard all other packaging.

See Diagram 5.

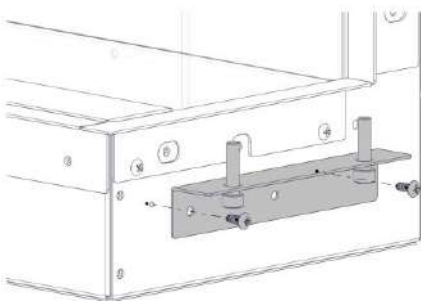


Diagram 6

Next remove the **1 x Clamping Bracket** and **2 x Screws** from **either** side of the fire and **discard**.

See Diagram 6.

Note: There is 1 x Clamping Bracket either side of the fire.

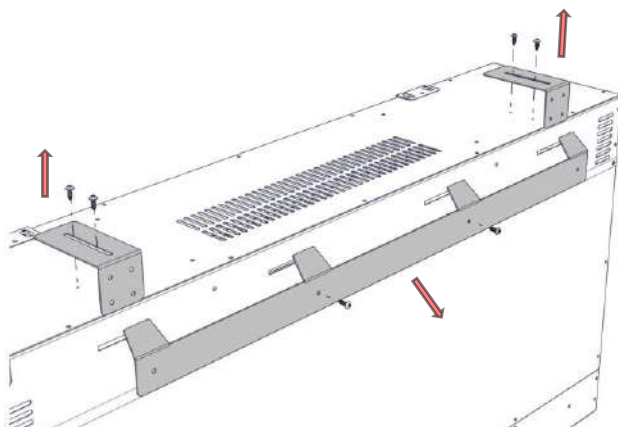


Diagram 7

For installation into a **floor to ceiling stud wall**, the **Rear Mounting Bracket** must be first removed from the fire.

Remove the **2 x L- Brackets** and **4 x Screws** holding the **L-Brackets** on the top of the fire in place and **discard**.

Once the **L- Brackets** are removed- remove the **2 x Screws** holding the **Rear Mount Bracket** in place and also **discard**.

See Diagram 7.

Note: For other methods of installation, the Rear Fixing Bracket maybe required to fix the fire to the wall. Please ensure that suitable fixings are used dependent on the wall medium.

Preparing the Fire

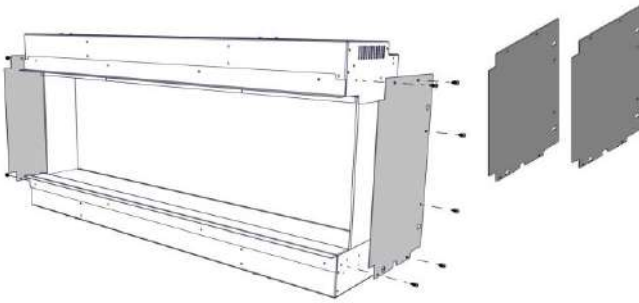


Diagram 8

1 Sided (Fully Recessed) Installation

The fire comes out the box, set up for a **3 sided** installation. See **Diagram 11**

For a **1 Sided Installation**. Remove the **6 x Screws** and **2 x Small Side Brackets** and **1 x Large Side Bracket** from **either** side of the fire.

Locate the **2 x Side Panels** and using the previously removed **12 x Screws** fix the **2 x Side Panels** in place.

See **Diagram 8**

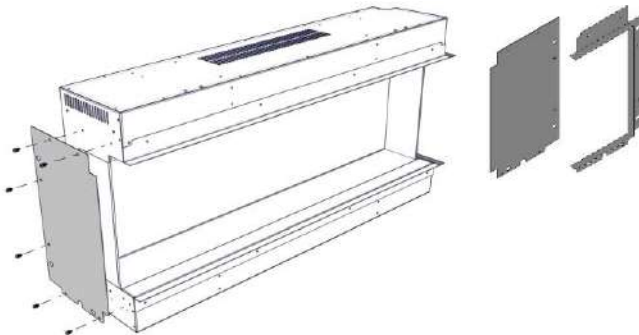


Diagram 9

2 Sided Installation- Right Hand

Leaving the **2 x Small Side Brackets** and **1 x Large Side Bracket** on the **right** hand side of the fire **fixed**.

Remove the **6 x Screws** and the **2 x Small Side Brackets** and **1 x Large Side Bracket** from the **left** hand side of the fire.

Locate **1 x Side Panel** and fix in place on the **left** hand side of the fire using the previously removed **6 x Screws**.

See **Diagram 9**

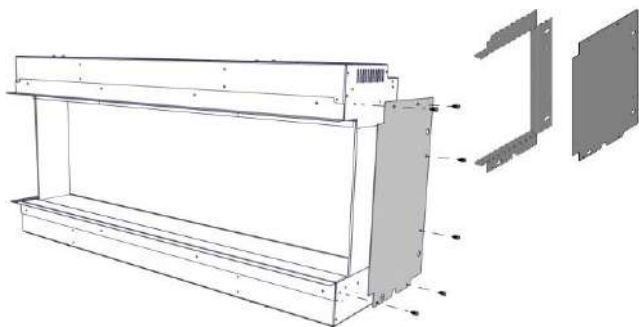


Diagram 10

2 Sided Installation- Left Hand

Leaving the **2 x Small Side Brackets** and **1 x Large Side Bracket** on the **left** hand side of the fire **fixed**.

Remove the **6 x Screws** and the **2 x Small Side Brackets** and **1 x Large Side Bracket** from the **right** hand side of the fire.

Locate **1 x Side Panel** and fix in place on the **right** hand side of the fire, using the previously removed **6 x Screws**.

See **Diagram 10**

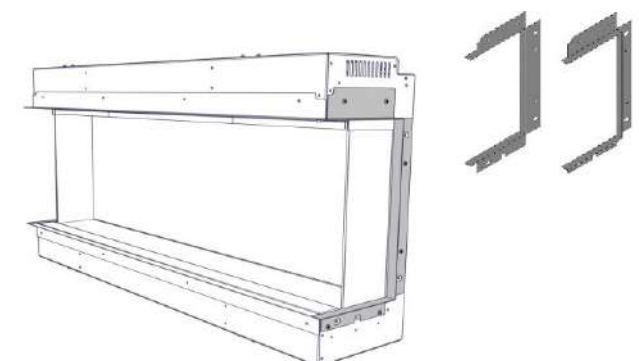


Diagram 11

3 Sided Installation

The fire comes out the box, already set up for a **3 sided** installation.

The **2 x Small Side Brackets** and **1 x Large Side Bracket** either side of the fire are attached.

See **Diagram 11**

Preparing The Fire *Continued*....

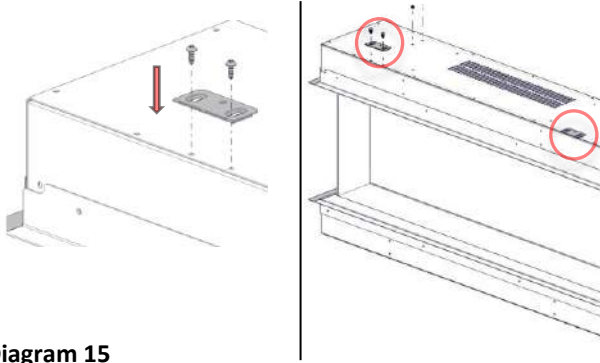


Diagram 15

Next locate and fit the **2 x Fixing Brackets** to the top of the fire.

Remove the **4 x Screws** in the top of the fire and fit the brackets in the required positions.

Note: Leave the brackets folded down and the screws backed off slightly until the fire is lifted into the stud wall.

See Diagram 15

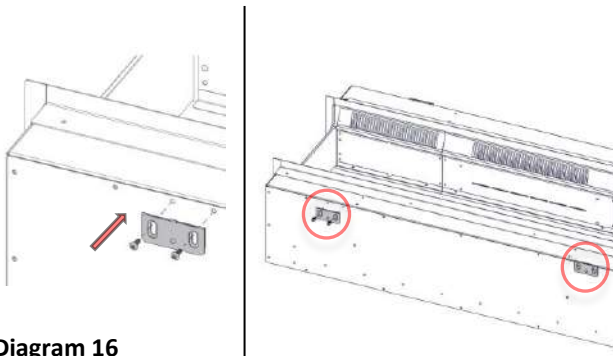


Diagram 16

With the fire on its back locate and fit another **2 x Fixing Brackets** to the bottom of the fire.

Remove the **4 x Screws** in the bottom of the fire and fit the brackets in the required positions.

Note: Leave the brackets folded down and the screws backed off slightly until the fire is lifted into the stud wall

See Diagram 16

Installation- Stud wall

Once the fire has been prepared, use the following opening dimensions to construct the stud wall which the fire will be housed in. It is essential to include a header at the required height to ensure the appliance does not support the weight of the finished wall- **See Diagrams 12, 13 and 14.** The base of the opening / stud work must also be able to take the full weight of the fire.

The fire should be positioned on a firm level surface and in a clean 'dust free' environment. If the product is to be installed into an open chimney or flue, it is important that the chimney / flue is blocked off to prevent any up / down draughts and falling debris which could restrict and alter the airflow of the product.

Note: Any protruding headers MUST be made of a non-combustible material.

To install into a stud wall the mounting bracket must be removed from the rear of the fire as previously shown in **Diagram 7, Page 9.**

Note: Before proceeding further ensure there is power to the fire before any cladding / plasterboard is installed.

The product should never be sealed into an opening with the use of silicones or adhesives as this can also alter the airflow and hinder any future servicing of the product.

Ensure the design of the stud wall allows for the plug or fuse spur to be easily accessible.

Note: The following diagrams are examples of how the stud wall could be constructed and finished with 12.5mm plasterboard. Please adjust to your bespoke design, ensuring the 'required opening sizes' detailed in the following tables are adhered to. This will ensure the minimum clearances are maintained during installation.

1 Sided (Fully Recessed) Installation

REQUIRED OPENING DIMENSIONS (mm)

FIRE	W	H	D
1000 3SL	1025**	505	235
1250 3SL	1275**	505	235

Note: ** Where possible we recommend the stud wall is built around the fire to allow for any manufacturing tolerances. See P3.

Note: Ensure there is a minimum 10mm clearance between the fire and the wall behind.

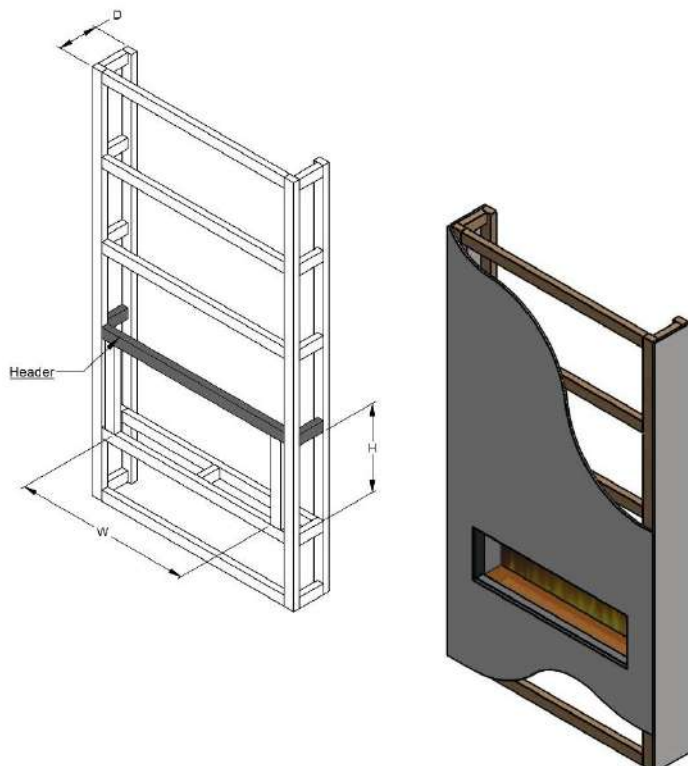


Diagram 12

Installation- Stud wall *continued....*

2 Sided Installation (Righthand Shown)

REQUIRED OPENING DIMENSIONS (mm)

FIRE	W	H	D
1000 3SL	1025**	505	235*
1250 3SL	1275**	505	235*

* + TT- Timber Thickness

Note: ** Where possible we recommend the stud wall is built around the fire to allow for any manufacturing tolerances. See P3.

Note: Ensure there is a minimum 10mm clearance between the fire and the wall behind.

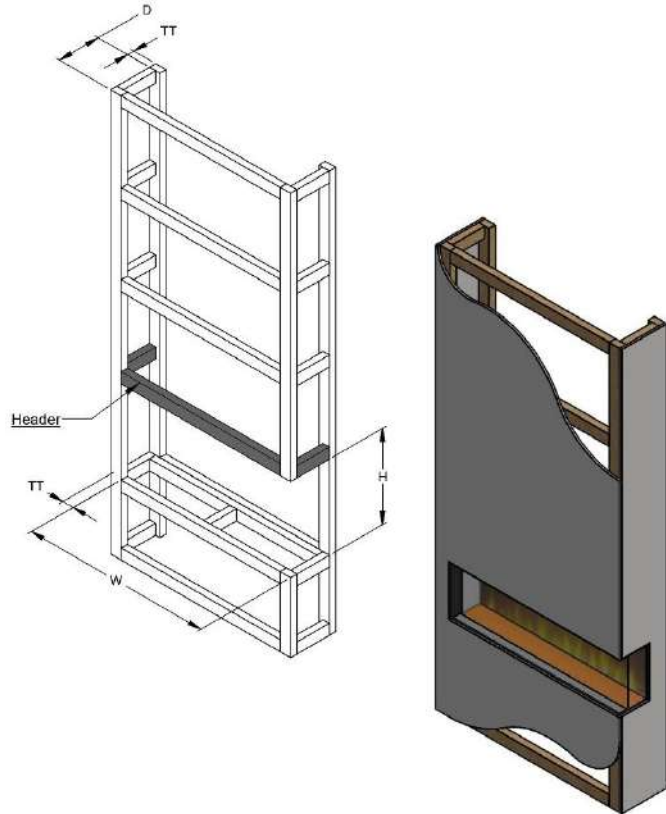


Diagram 13

3 Sided Installation

REQUIRED OPENING DIMENSIONS (mm)

FIRE	W	H	D
1000 3SL	1025**	505	235*
1250 3SL	1275**	505	235*

* + TT- Timber Thickness

Note: ** Where possible we recommend the stud wall is built around the fire to allow for any manufacturing tolerances. See P3.

Note: Ensure there is a minimum 10mm clearance between the fire and the wall behind.

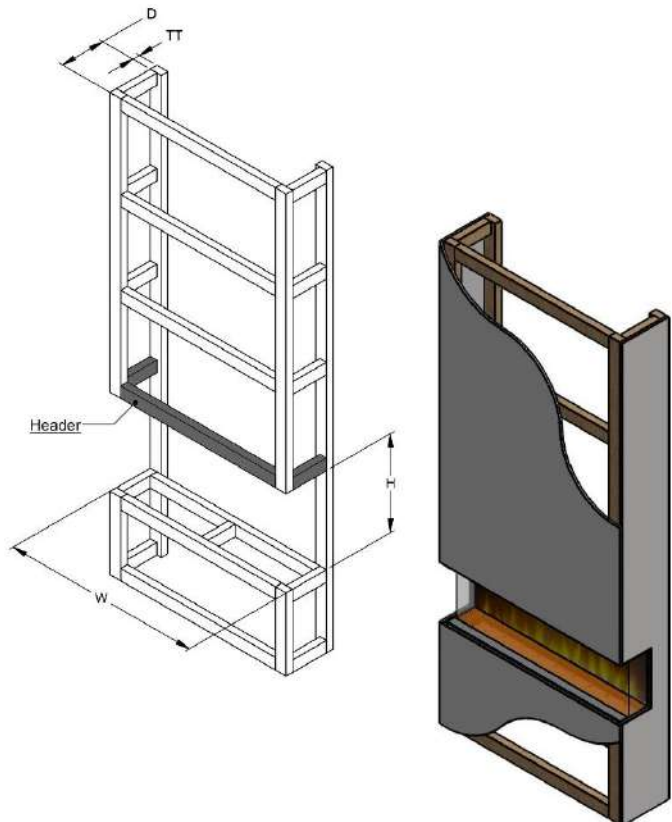


Diagram 14

Installing The Fire

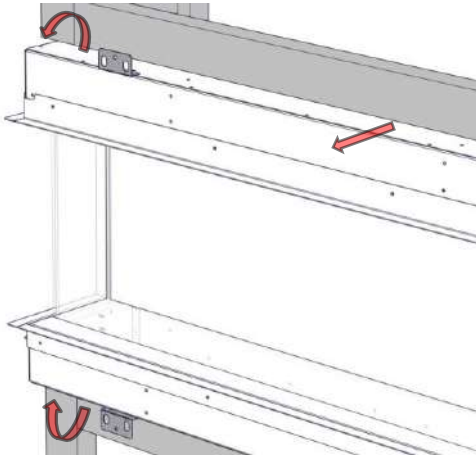


Diagram 18

Note: The fire is a two adult person lift

Lift the fire into the stud wall opening- leaving approx. **50mm** of the fire protruding to the front.

Unfolded the **fixing brackets** at the top and bottom of the fire.

The brackets are on a slot so they can be adjusted backwards and forwards to suit the stud wall face finishing material.

Once the position has been decided tighten all the screws to secure the brackets in place.

See **Diagram 18**

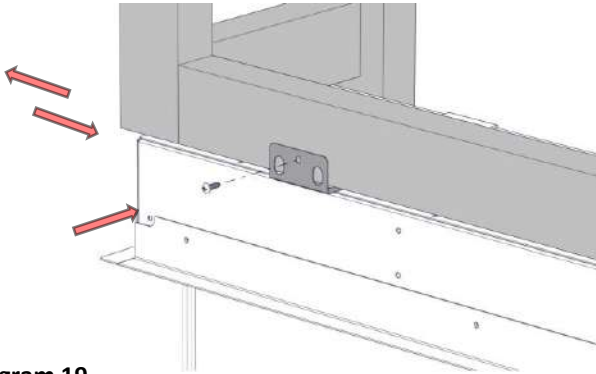


Diagram 19

Once the brackets are secured in place push the fire into position, ensuring the rear face of the brackets is flush with the face of the stud wall.

Position the fire in the opening to suit the cladding / plastered board being used.

Once in position screw through the holes in the **fixing brackets** securing the fire to the stud wall.

Note: These screws are not provided.

See **Diagram 19**

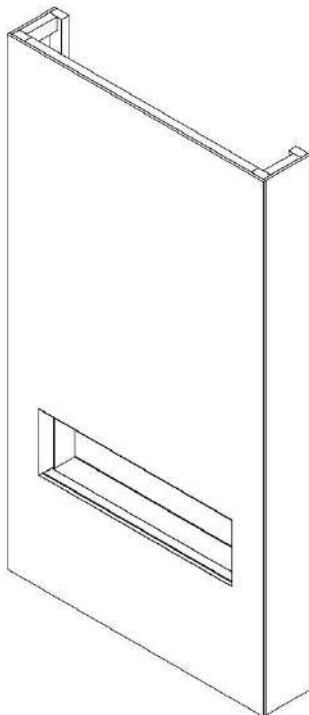


Diagram 20

Note: Before proceeding further ensure there is power to the fire and it is operating correctly.

Note: Ensure the plug / fuse spur can be fully accessible once the cladding / plasterboard is installed.

Once the above has been checked, clad / plasterboard, skim and finish the stud wall, as desired.

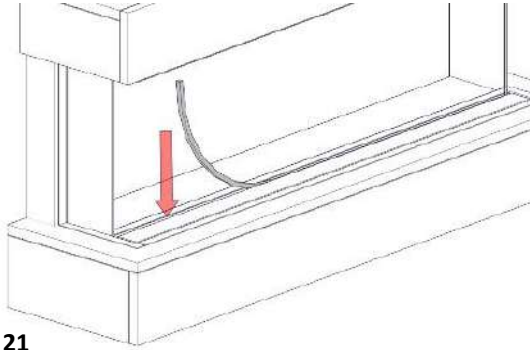
See **Diagram 20**

Tip: If using plasterboard position the sealed edge of the plasterboard against the fire brackets protruding from the fire. This will help maintain a clean / sharp edge.

The fuel bed can now be dressed and the logs positioned.

See **Diagram 21- 25- Page 15**

Fuel Bed Layout & Log Positioning



Tip: Before dressing the fuel bed. Position the foam strip (supplied) in the channel in the base of the fire, this will help to stop the smaller fuel bed material falling into the channel during installation. See Diagram 21.

The dressing of the fuel bed can be **fully tailored** to the customers **individual tastes**. A sufficient amount of each fuel bed finishing material has been provided to cover the fuel bed in a **single type** of material.

Diagram 21

Fuel Bed Dressing- As a starting point follow the example below:



Diagram 22 - Place a large amount of **crystals** in the centre of the fuel bed- leaving a gap around the edges.

Tip: The crystals pick up light from the under bed lights to give you a realistic glowing ember effect, so we recommend using a generous amount.



Diagram 23- Fill the space around the edges of the crystals with the **pebbles**, as well as randomly in between the crystals.

Positioning the logs- As a starting point follow the example below:



Diagram 24 - Above shows an example of the **7 x** log set up for the **1000 3SL Fire** .



Diagram 25 - Above shows an example of the **10 x** log set up for the **1250 3SL Fire** .

Replacing the Glass

Finally the **Glass** and **2 x Glass Brackets** can be refitted, using the previously removed **2 x Screws**.

Note: Before proceeding further remove the foam strip and check the channel in the base of the fire is free of any fuel bed material.

Tip: Ensure the rear of the front and side glass is clean before fixing in place.

With the rear of the **Glass** clean **and** angled forward slightly position the **Glass** in the channel in the base of the fire **(1)**, and carefully push back into position. **(2)** See **Diagrams 26 & 27**.

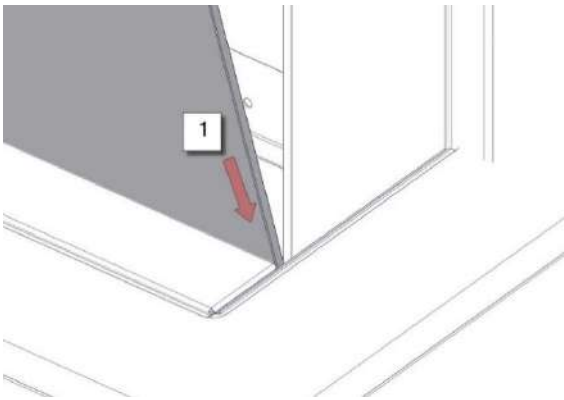


Diagram 26

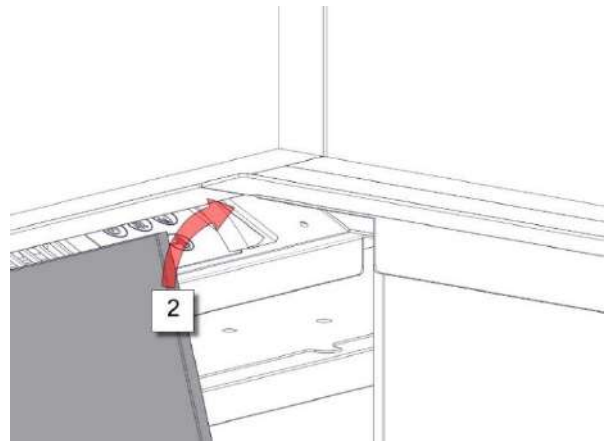


Diagram 27

Once in the correct position secure with the previously removed **2 X Screws** and **2 X Glass Brackets**. **1 X Screw** and **1 x Glass Bracket** either side of the fire. See **Diagram 28**.

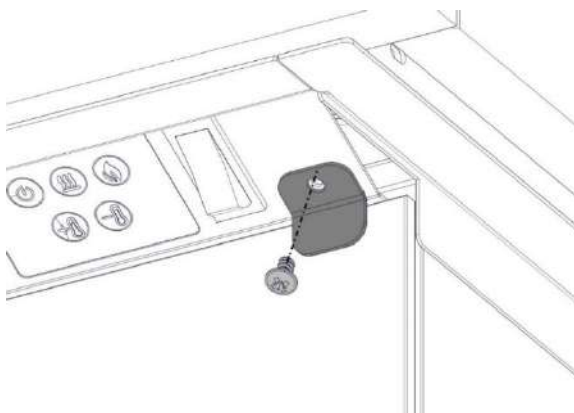


Diagram 28

The installation is now complete.

Technical Specification

Model No.: 3062, 3083, 4165

Supply Voltage: AC 220-240V 50-60Hz

Maximum power consumption: 2KW

Power for flame effect 3062 - 750: 20W (LED 15W + Motor for flame 5W)

Power for flame effect 3083 - 1000: 30W (LED 25W + Motor for flame 5W)

Power for flame effect 4165 - 1250: 30W (LED 25W + Motor for flame 5W)

Heat Output:

Nominal heat output (P_{nom}): 2KW

Minimum heat output (indicative) (P_{min}): 1KW

Maximum continuous heat output (P_{max}): 2KW

Auxiliary Electricity Consumption:

At nominal heat output (e_{lmax}): 0W

At minimum heat output (e_{lmin}): 0W

In standby mode (e_{lSB}): 0.45 W

Type of heat output / room temperature control

Single stage heat output and no room temperature control	No
Two or more manual stages, no room temperature control	No
With mechanic thermostat room temperature control	No
With electronic room temperature control	No
Electronic room temperature control plus day timer	No
Electronic room temperature control plus week timer	Yes

Other Control Options

Room temperature control, with presence detection	No
Room temperature control, with open window detection	Yes
With distance control option	No
With adaptive start control	No
With working time limitation	No
With black bulb sensor	No

Important Safety Information

Read all the instructions carefully before using the appliance.

For indoor use only. This appliance is not suitable for use outside the house and only suitable for well insulated spaces or occasional use.

Do not use this appliance in the immediate surroundings of a bath, a shower or a swimming pool.

Do not use this fire as a free-standing appliance. It must always be fixed to the wall, fireplace mantel, floor etc.

This fire must not be located immediately below a socket-outlet.

This appliance must be earthed.

This appliance must not be supplied through an external switching device, such as a timer, or connected to the circuit that is regularly switched on and off by utility in order to avoid a hazard due to the inadvertent resetting of the thermal cut out.

A non-rewireable plug fitted with a 13A fuse is supplied. Should the fuse or plug need replacing, and you are competent to do so, it must be replaced with a 13A fuse or plug being 13A BS1363A approved.

If the power cord is damaged, it must be repaired by the manufacturer, its authorised service centre or professional person.



DO NOT COVER

The meaning of this symbol is **Warning:** in order to avoid overheating, do not allow the appliance to be covered or let the air inlet/outlet become obstructed.

To reduce the risk of fire, keep textiles, curtains, or any other flammable material a minimum distance of 1 meter from the air outlet.

Keep the power cord away from hot surfaces and hot conditions. Do not route the power lead in front of the appliance.

Do not use this fire in rooms that have explosive fumes in them (for example petrol), or if you are using solvents, glue, aerosol spray or in flammable paints, as these may catch fire.

This appliance can be used by children aged from 8 years and above and persons with reduced physical, sensory or mental capabilities or lack of experience and knowledge if they have been given supervision or instruction concerning use of the appliance in a safe way and understand the hazards involved.

Children and vulnerable people must be supervised at all times when using this appliance, as some parts can become very hot and cause burns.

Do not use this appliance in small rooms when they are occupied by persons not capable of leaving the room on their own, unless constant supervision is provided.

Cleaning and user maintenance shall not be made by children without supervision.

Children aged from 3 years and less than 8 years only can switch on / off the appliance provided that it has been placed or installed in its intended normal operating position and instructions and supervisions concerning the safe way of the use of the appliance are offered. Children aged from 3 years and less than 8 years shall not plug in, regulate and clean the appliance or perform user maintenance.

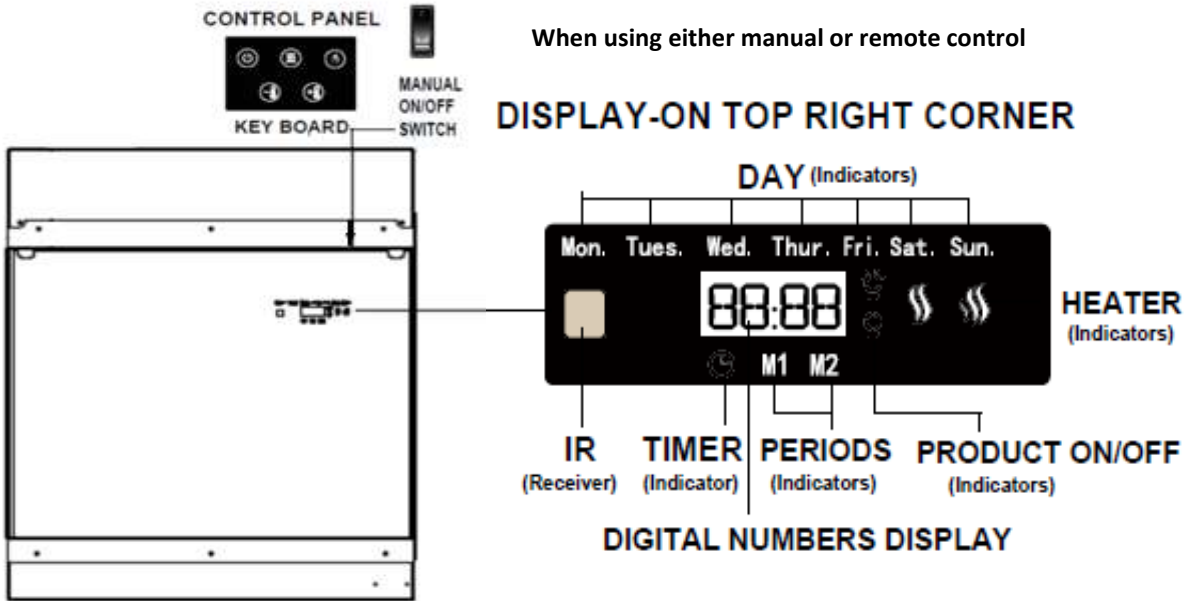
This appliance shall not be played with by children.

Children of less than 3 years should be kept away unless continuously supervised.

Keep the power plug accessible after installation.

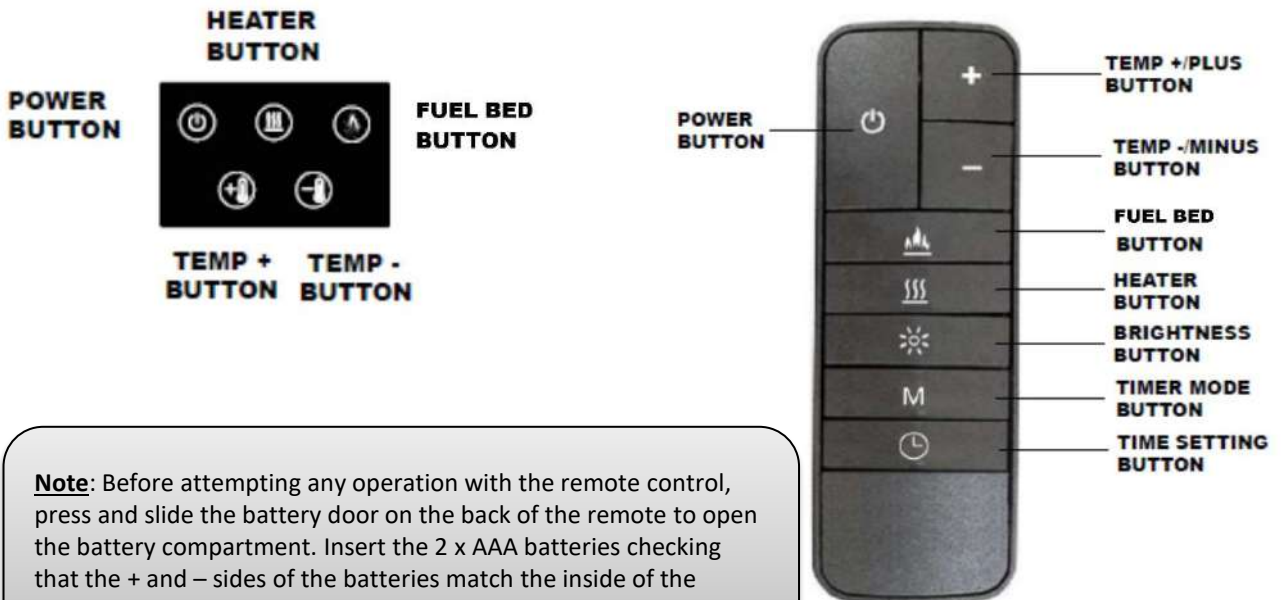
Operation Instructions

Manual Operation



The fire can be operated either manually via the buttons located on the front right side of the unit or by the supplied remote control. The manual ON / OFF switch located on the right hand side of the manual buttons must be in the "I" position before trying to operate the fire

Manual Operation



Note: Before attempting any operation with the remote control, press and slide the battery door on the back of the remote to open the battery compartment. Insert the 2 x AAA batteries checking that the + and - sides of the batteries match the inside of the battery compartment. Replace the battery compartment door.

Operation Instructions continued...

Note: The unit may emit a slight harmless odour and smoke when first used. This odour and smoke is normal and is caused by the internal heating parts and will not occur again.

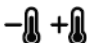
Note: The below functions can be controlled by either the manual buttons on the fire or the remote control. Ensure the ON / OFF switch is in the "I" position before trying to operate the fire.

Powering the fire

Press the power button to supply power to all the functions of the fire and put the fire into standby mode, the current room temperature will be shown on the display.

Press the power button again to turn off all functions

Note: All previous settings are held in the memory so the next time you power up the fire it will turn on with the same settings unless power to the unit is lost

Temperature setting  or **- +**

Adjust the temperature to the desired setting (15° to 30° range) using the Temp + and Temp – buttons. The set temperature must be above the room temperature for the heating function to operate. Fig 1.

Fig 1.

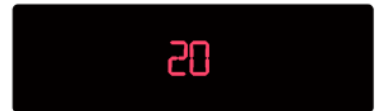


Fig 2.



Fig 3.



Heater Operation

Press the heater button to select 2000W, H2 and a red flame symbol will be displayed. See Fig 2.

Press the heater button again to select 1000W, this time H1 and an orange flame will be displayed. See Fig 3.

Press the heater button again to turn the heater off

Note: On either heat setting the heat function will turn off when the room temperature reaches the set temperature. The heater will automatically restart when the room temperature drops 3° below the set temperature as detected by the fire unit

Note: The heater fan will run for approximately 30 seconds after the heat has been turned off, this is to remove any residual heat and protect the components from potential overheating.

Open Window Function

This appliance has an "Open Window Detection Function". When the heater is in operation H1 or H2 and the ambient temperature drops 5° within 10 minutes ECO will appear in the display and the heat function will automatically turn off.

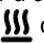
This means there is a window open or a cold draft coming into the room past the fire. Close the window and press  on the manual control panel or the remote control to restart the heater. See Fig 4.

Fig 4.



Operation Instructions continued...

Fuel Bed Operation

Press the fuel bed button to select from seven different fuel bed colour options.

Fig 5.

- | | |
|--------------|---------------------------|
| 1 – OFF | 5 - Blue |
| 2 – Red | 6 - Purple |
| 3 – Sky Blue | 7 - Green |
| 4 – Orange | 8 – Cycle between 2 and 7 |

Fig 5.



Fig 6.





Fig 7.



Fig 8.



Note: The last setting “8” is where the unit cycles through all seven colours. Pressing the  stops the cycling and holds the unit on one preferred colour, a circle will be displayed. See Fig 6. When one of these modes has been selected, this will become the default mode when the unit is next turned on.

Press and hold  button for 2 seconds to turn ON / OFF the downlights. ON is displayed when the downlights are on.

Brightness Operation

The brightness setting of the flame effect can also be adjusted. This is done by pressing the brightness button and selecting one of the following options. Fig 8.

- H – Maximum Setting
- C – Intermediate Setting
- L – Minimum Setting

Note: The brightness setting of the flame effect can only be adjusted by using the remote control

Operation Instructions continued...

Setting The Day and Time

The following can only be set using the remote control.

Press the power button to turn the unit on.

Press and hold the time setting button  for two seconds to display the time and day (no numbers are shown as time has not been set) See Fig 9.

Press the time setting button and the day setting will start to flash. See Fig 10.

Adjust the day setting using the Temp + Temp – buttons.

Press the time setting button and the hour setting will start to flash, adjust the hour using the Temp + and Temp- buttons.

Press the time setting button and the minute setting will start to flash, adjust the minute setting using the Temp + and Temp – buttons

Press the time setting button to set the time and exit the day / time setup.

Setting The Weekly Timer **M**

This timer allows for two ON / OFF periods (M1 / M2) for each day of the week.

The timer can be set using the following procedure:

Press the power button to turn the unit on.

Press and hold the timer mode button **M** for two seconds to enter the timer settings. The settings for the first ON / OFF period (M1) for Monday will be shown with the first ON time and hour setting flashing. See Fig 11.

Adjust the hour setting using the Temp + and Temp – buttons, press the time setting button to select the minute, adjust this setting using the Temp + and Temp – buttons.

Press the time setting button and the display will move to the first OFF time setting. See Fig 12.

Repeat the above steps to set the first OFF time.

Press the time setting button and the display will move to the second ON / OFF period (M2), with the second ON time setting displayed. See Fig 13.

Repeat the above steps to set the second ON / OFF period

Press the time setting button and the display will move onto the first ON / OFF period (M1) for Tuesday with the first ON time setting displayed.

Repeat the above steps for Tuesday's settings and repeat process for

Wednesday to Sunday settings.

Having confirmed Sunday's settings exit the timer setting, this can be done by not using the remote for 10 seconds and the unit will then default into normal operating mode. To activate the timer settings press the timer mode button until the timer symbol is displayed on the screen. See Fig 14.

Fig 9.



Fig 10.



Fig 11.



Fig 12.



Fig 13.



Fig 14.



Note: The time and day must be set before the timer mode can be activated. The unit can still be operated normally when in timer mode using the heater function

Note: If the power to the unit is lost then the time / day and weekly timer settings will have to be reprogrammed.

General Information

Cleaning

Allow the product to completely cool before handling or cleaning it.

- Switch off and unplug from the power supply before cleaning
- Using a soft moist cloth with or without mild soap solution carefully clean the exterior of the product
- Do not allow water or other liquids to run into the interior of the product as this could create a fire and / or an electrical hazard
- We also recommend the periodic cleaning of this product by lightly running a vacuum cleaner nozzle over the grill to remove any dust or dirt that may have accumulated inside or on the unit.

Caution: Do not use harsh detergents, chemical cleaners or solvents as they may damage the surface finish of the plastic components.

Battery Replacement – Remote Control.

- Slide open the battery cover on the back of the remote control
- Install AAA batteries into the remote control
- Replace the battery cover



Discard leaky batteries.

Dispose of batteries in a correct manner according to local regulations.

Caution: Any battery may leak electrolyte if mixed with a different battery type, if inserted incorrectly, if all the batteries are not replaced at the same time, if disposed of in a fire or if an attempt is made to charge a battery not intended to be charged

Thermal Safety Cut-out

A thermal safety cut-out is incorporated in the heater to prevent damage due to overheating. This can happen if the heat outlet is restricted in any way. The heater will switch on once the obstruction has been removed and the heater has cooled. If the cut-out continues to operate intermittently the heater should be switched off and a service agent contacted.

Maintenance

Warning: Always disconnect from the power supply before attempting any maintenance

Light Emitting Diode (LED)

This fire is fitted with LED (Light Emitting Diode) bulbs in place of traditional incandescent bulbs. These generate the same light level as traditional bulbs but use a fraction of the energy consumed.

Correct Disposal of Product

This marking indicates that the product should not be disposed with other household wastes. To prevent possible harm to the environment or human health from uncontrolled waste disposal, recycle it responsibly to promote the sustainable reuse or material resources. To return your used device please use the return and collection systems or contact the retailer where you purchased the product. They can take this product for environmental safe recycling



Warranty Information

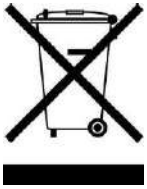
The manufacturer provides warranty in accordance with the legislation of the customers own country of residence, with a minimum of 1 year starting from the date on which the appliance is sold to the end user. The warranty only covers defects in material or workmanship.

The warranty will not apply in cases of:

- Normal wear and tear
- Incorrect use, e.g. overloading of the appliance, use of non-approved accessories
- Use of force, damage caused by external influences
- Damage caused by non-observance of the user manual e.g. connection to an unsuitable mains supply or non-compliance with the installation instructions
- Partially or completely dismantled appliances

General Information continued..

Environment



Meaning of crossed –out wheeled dustbin:

Electrical appliances should not be disposed as unsorted municipal waste. Separate collection facilities should be used in the disposal of electrical appliances. Contact your local government for the information about the available collection systems. If electrical appliances are disposed of in landfills or dumps, hazardous substances can leak into the groundwater and get into the food chain, damaging your health and well-being. When old appliances are replaced by the new ones, it is a legal obligation for the retailer to take back the old appliance for disposals at least free of charge.



This fire complies with the Safety Standards EN 60335-1 and EN 60335-2-30 which covers the essential requirements of the Low Voltage Directive 2014/35/EU and the EMC standards EN 55014-1; EN 55014-2; EN 61000-3-2 and EN 61000-3-3 which covers the essential requirements of the European Electro Magnetic Compatibility 2014/30/EU, and the RED standards EN300220-2, EN301489-1, EN301489-3 and EN6247 which covers the essential requirements of the European Radio Equipment Directive 2014/53/EU.



This fire complies with the Safety Standards BS 60335-1 and BS 60335-2-30 which covers the essential requirements of the Electrical Equipment (Safety) Regulations 2016 and the EMC standards BS 55014-1; BS 55014-2; BS 61000-3-2 and BS 61000-3-3 which covers the essential requirements of the Electro Magnetic Compatibility Regulations 2016, and the RED standards BS 300220-2, BS 301489-1, BS 301489-3 and BS 6247 which covers the essential requirements of the Radio Equipment Regulations 2017.



RoHS stands for Restriction of Hazardous Substances, and impacts the entire electronics industry and many electrical products as well. The Restrictions of the Use of Certain Hazardous Substances in Electrical and Electronic Equipment Regulations 2012, originated in the European Union in 2002 and restricts the use of six hazardous materials found in electrical and electronic products. All applicable products in the EU and UK market since July 1, 2006 must pass RoHS compliance.

Electric Fire Guarantee

Be Modern Ltd. (the 'Company') provides a **twelve month** guarantee in respect of electric fire (the 'Product') ranges.

1. The twelve month Guarantee applies to:

- a. All products in the ranges manufactured by the 'Company' (but subject to the exceptions below):

where:

- b. The product has been purchased and installed within the UK and in respect of
- c. The initial installation: and in favor of
- d. The original purchaser

2. Proof of Purchase must be retained by the Purchaser

3. The twelve month Guarantee does not apply to:

- a. Damage or inferior workmanship practices whilst the 'Product' is being installed
- b. Damage caused by mis-use of the 'Product' or where normal standards of care and use have not been complied with.
- c. Damage through a malfunction or an inadequately installed electric fire.
- d. Damage or defects due to mis-use, accident or unauthorised alterations.

4. During the twelve month after the "Product" has been supplied, the Guarantee covers the making good (whether by repair or replacement at the Company's option) of defects arising from defective manufacture of materials of "Product" covered in Para 1 all at no cost to the purchaser on the provision:

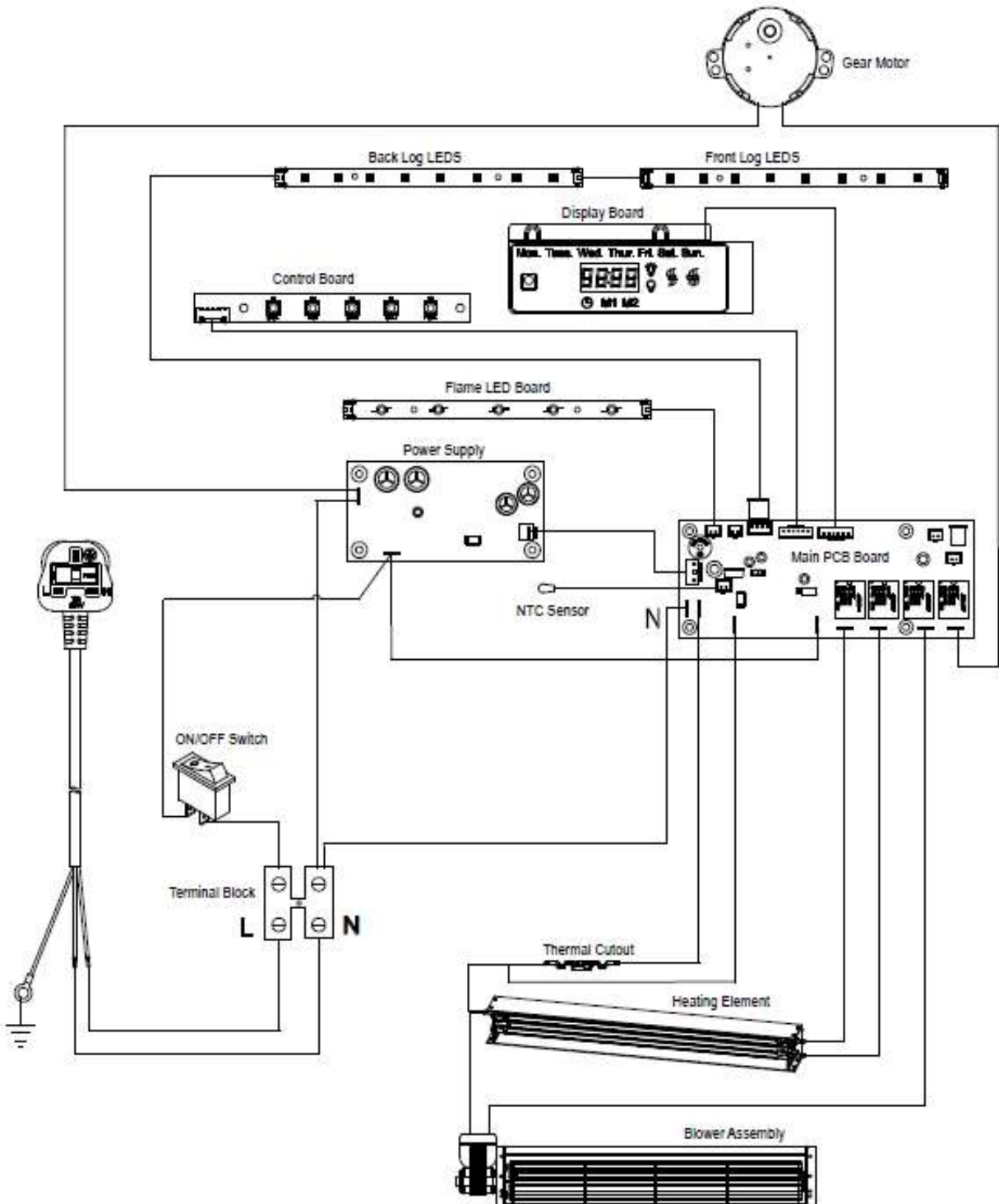
- a. The Product has been installed as per Be Modern recommendations. The Purchaser uninstalls the Product and makes it available for collection by Be Modern.

This Guarantee does not affect your statutory rights

On requiring service the purchaser should contact the retailer who supplied your product who will assist and advise you as necessary.

Be Modern Ltd.
19/34 Bedesway
Bede Industrial Estate
Jarrow
Tyne and Wear
NE32 3BE
Tel: (0191) 430 0901
Fax: (0191) 430 9522
<http://www.bemodern.com>

Wiring Diagram



Troubleshooting

Problem	Solution
The fire is not switching on	Ensure there is power to the fire, is the main electric socket switched on?.
The fire is not switching on	Check fuse in the plug / spur and also check the main rocker switch on the fire is in the "ON" position.
The fire is not emitting heat	Check the temperature on the fire display is set higher than the room temperature
The fire Shuts off after a period of time	The room has reached the set temperature. Has the daily timer been set.
Remote not operating the fire	Replace the batteries in the remote control handset
Display showing E1	The thermostat sensor is disconnected or broken. Contact customer services.
Display showing E2	Thermostat sensor broken contact customer services
Display showing E3	Fire has overheated and the safety cut-out has operated. Check air inlets and outlets to ensure they are not blocked or obstructed. Switch power to the fire off for 30 minutes to allow safety cut-out to reset. Power up the fire and monitor for overheating, if problem persists contact customer services.

Should you be experiencing any problems with your fire please call Customer Services on 01914300901 or email us at customerservices@bemodern.co.uk